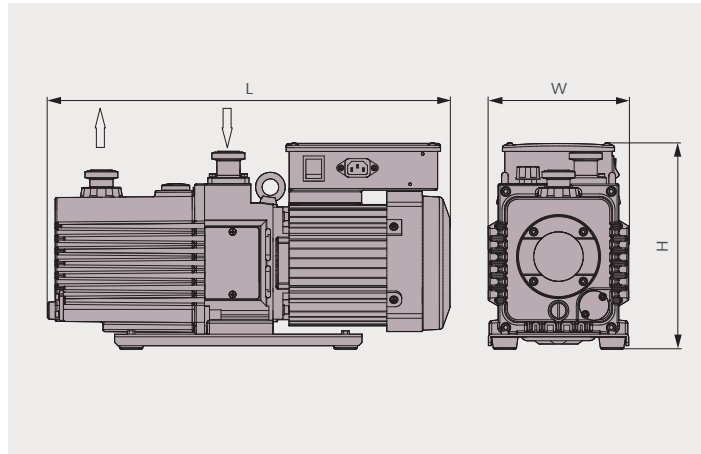


Zebra

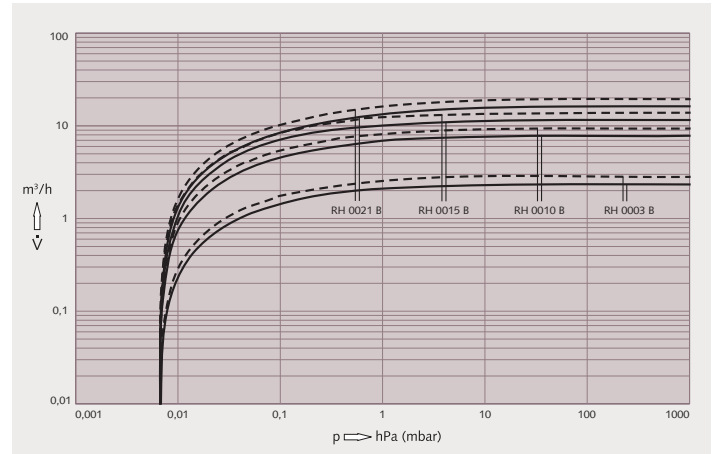
Two-Stage Rotary Vane Vacuum Pumps RH 0003–0021 B



Zebra RH 0003–0021 B



Pumping speed Air at 20 °C. Tolerance: ± 10% — 50 Hz - - - - 60 Hz



Technical data			RH 0003 B	RH 0010 B	RH 0015 B	RH 0021 B
Pumping speed	50 Hz / 60 Hz	m³/h	2.4 / 2.9	8.1 / 9.7	12.0 / 14.4	16.9 / 20.2
Pumping speed	50 Hz / 60 Hz	l/min	40 / 48	135 / 162	200 / 240	280 / 336
Ultimate partial pressure	Gas-ballast valve closed	hPa (mbar)	$6.7 \cdot 10^{-4}$	$6.7 \cdot 10^{-4}$	$6.7 \cdot 10^{-4}$	$6.7 \cdot 10^{-4}$
Ultimate total pressure	Gas-ballast valve closed	hPa (mbar)	$6.7 \cdot 10^{-3}$	$6.7 \cdot 10^{-3}$	$6.7 \cdot 10^{-3}$	$6.7 \cdot 10^{-3}$
Ultimate total pressure	Gas-ballast valve open	hPa (mbar)	$6.7 \cdot 10^{-2}$	$6.7 \cdot 10^{-2}$	$6.7 \cdot 10^{-2}$	$6.7 \cdot 10^{-2}$
Max. continuous inlet pressure		hPa (mbar)	100	100	100	100
Max. back pressure (gauge)		hPa (mbar)	300	300	300	300
Water vapour capacity	Gas-ballast valve open	g/h	5	38	40	73

Motor data single-phase version						
Nominal motor rating		kW	0.2	0.4	0.55	0.75 – 0.9
Operating voltage		V	100–120 / 200–240	100–120 / 200–240	100–120 / 200–240	115 / 200–240

Motor data three-phase version						
Nominal motor rating		kW		0.4	0.55	0.7
Operating voltage	50 Hz 60 Hz	V		200–240 / 380–415 200–240 / 380–460	200–240 / 380–415 200–240 / 380–460	200–240 / 380–415 200–240 / 380–460

Physical data						
Ambient temperature		°C	7–40	7–40	7–40	7–40
Oil			VSD 026	VMA 055	VMA 055	VMA 055
Oil capacity		l	0.8	1	1.1	1.1
Noise level (ISO 2151)	Single-phase Three-phase	dB(A)	< 52 / < 53 -	< 52 / < 54 < 49 / < 52	< 54 / < 56 < 52 / < 55	< 59 / < 61 < 59 / < 63
Weight approx.	Single-phase Three-phase	kg	16	29 26	31 29	42 34.5
Dimensions (L x W x H)	Single-phase Three-phase	mm	427 x 150 x 228 -	488 x 170 x 250 486 x 170 x 240	516 x 170 x 250 514 x 170 x 240	585 x 182 x 271 536 x 181 x 269
Gas inlet / outlet			ISO-KF 25 / ISO-KF 25	ISO-KF 25 / ISO-KF 25	ISO-KF 25 / ISO-KF 25	ISO-KF 25 / ISO-KF 25

Applicable standards						
Marking			cTUVus	cTUVus	cTUVus	cTUVus

www.buschvacuum.com

Argentina Australia বাংলাদেশ België Brasil Canada Česko Chile 中国 Colombia Danmark Deutschland España France भारत गणराज्य Ireland ישראל Italia 日本 대한민국 Magyarország Malaysia México Nederland New Zealand Norge Österreich Perú Polska Portugal România Россия Schweiz Singapore South Africa Suomi Sverige 台湾 ประเทศไทย Türkiye الإمارات العربية المتحدة United Kingdom USA

Technical data is subject to change. Created in Germany. MG PL ZEBRARH00030021B Len 09/2017 7Aa

Zebra

Two-Stage Rotary Vane Vacuum Pumps RH 0003–0021 B



Article Numbers, Genuine Accessories and Spare Parts	RH 0003 B	RH 0010 B	RH 0015 B	RH 0021 B
With single-phase motor				
100–120 / 200–240 (50/60 Hz)	1141168791	1141168792	1141168795	-
115 / 200–240 (50/60 Hz)	-	-	-	1141168797
With three-phase motor				
200-240 / 380-460, 50/60 Hz	-	1141168793	1141168796	1141168798
Inlet accessories¹				
Inlet filter FIL 0040	0530168811			
Spare polyester filter element for FIL 0040	0532121861			
Special purpose filter element for FIL 0040	on request			
Outlet accessories²				
Oil mist separator OMS 0003	0960168804	-	-	-
Spare filter element for OMS 0003	0532169042	-	-	-
Oil mist separator OMS 0021	-	0960168805		
Spare filter element for OMS 0021	-	0532169043		
Other accessories				
Gas-ballast valve	included			
Oil				
VSD 026, 1L	0831169419	-	-	-
VMA 055, 1L	-	0831169415		
VMA 055, 5L	-	0831169416		
Maintenance kits				
Minor maintenance kit	0992168912	0992168944	0992168946	0992168948
Major maintenance kit	0993168943	0993168945	0993168947	0993168949
Cord sets				
Europe	supplied with open wire power cord		included	
North America NEMA 5/15, 2 metres	-	0659930583		
North America NEMA 6/15, 2 metres	-	0659930582		
Other cord sets	-	on request		

¹All filters include housing, polyester filter element and mounting hardware
²All oil mist separators include housing, filter element and mounting hardware