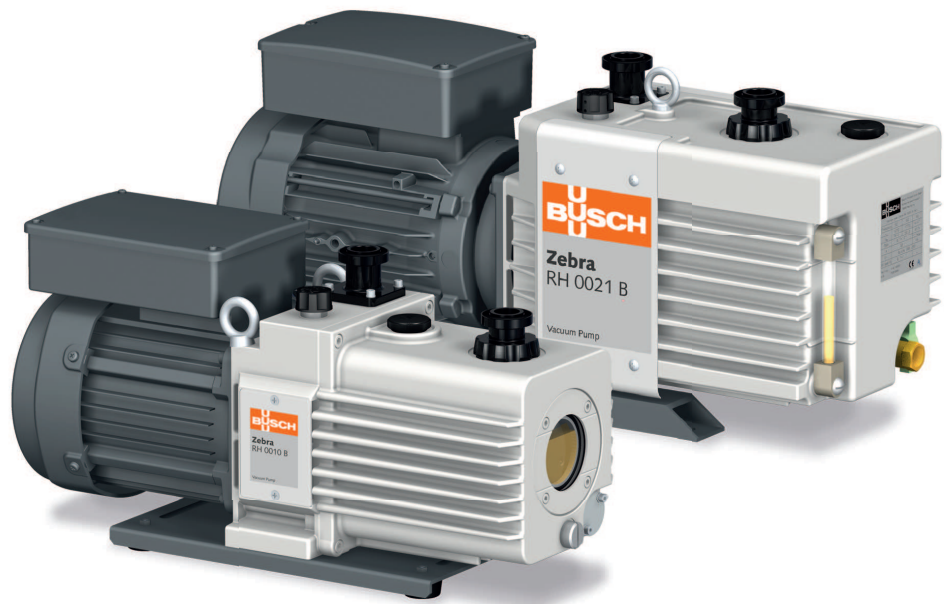


Instruction Manual

Zebra

Two-Stage Rotary Vane Vacuum Pumps
RH 0003 B, RH 0010 B, RH 0015 B, RH 0021 B



CE

Busch Produktions GmbH
Schauinslandstraße 1, 79689 Maulburg
Germany

Table of Contents

1 Safety	3
2 Product Description	4
2.1 Operating Principle.....	5
2.2 Application	5
2.3 Standard Features.....	5
2.3.1 Gas Ballast Valve.....	5
2.4 Optional Accessories.....	6
2.4.1 Inlet Filter	6
2.4.2 Oil Mist Separator.....	6
2.5 Motor Variants	6
3 Transport	6
4 Storage	7
5 Installation	7
5.1 Installation Conditions	7
5.2 Connecting Lines / Pipes	8
5.2.1 Suction Connection.....	8
5.2.2 Discharge Connection.....	9
5.2.3 Oil Mist Separator (Optional).....	9
5.3 Filling Oil.....	10
5.4 Electrical Connection	11
5.4.1 Wiring Diagram Single-Phase Motor.....	11
5.4.2 Wiring Diagram Three-Phase Motor	12
6 Commissioning	13
6.1 Continuous Operation	13
6.2 Conveying Condensable Vapours	14
7 Maintenance	14
7.1 Maintenance Schedule.....	14
7.2 Oil Change Recommendations	15
7.3 Oil Change	16
7.4 Coupling Maintenance	18
8 Overhaul	18
9 Decommissioning	19
9.1 Dismantling and Disposal.....	19
10 Spare Parts	20
11 Accessories	20
12 Troubleshooting	21
13 Technical Data	23
14 Oil	23
15 EU Declaration of Conformity	24

1 Safety

Prior to handling the machine this instruction manual should be read and understood. If anything needs to be clarified please contact your Busch representative.

Read carefully before use and keep for future reference.

This instruction manual remains valid as long as the customer does not change anything on the product.

The machine is intended for industrial use. It must be handled only by technically trained personnel.

The machine has been designed and manufactured according to state-of-the-art methods. Nevertheless, residual risks may remain. This instruction manual highlights potential hazards where appropriate. Safety notes and warning messages are tagged with one of the keywords DANGER, WARNING, CAUTION, NOTICE and NOTE as follows:

DANGER

... indicates an imminent dangerous situation that will result in death or serious injuries if not prevented.

WARNING

... indicates a potentially dangerous situation that could result in death or serious injuries.

CAUTION

... indicates a potentially dangerous situation that could result in minor injuries.

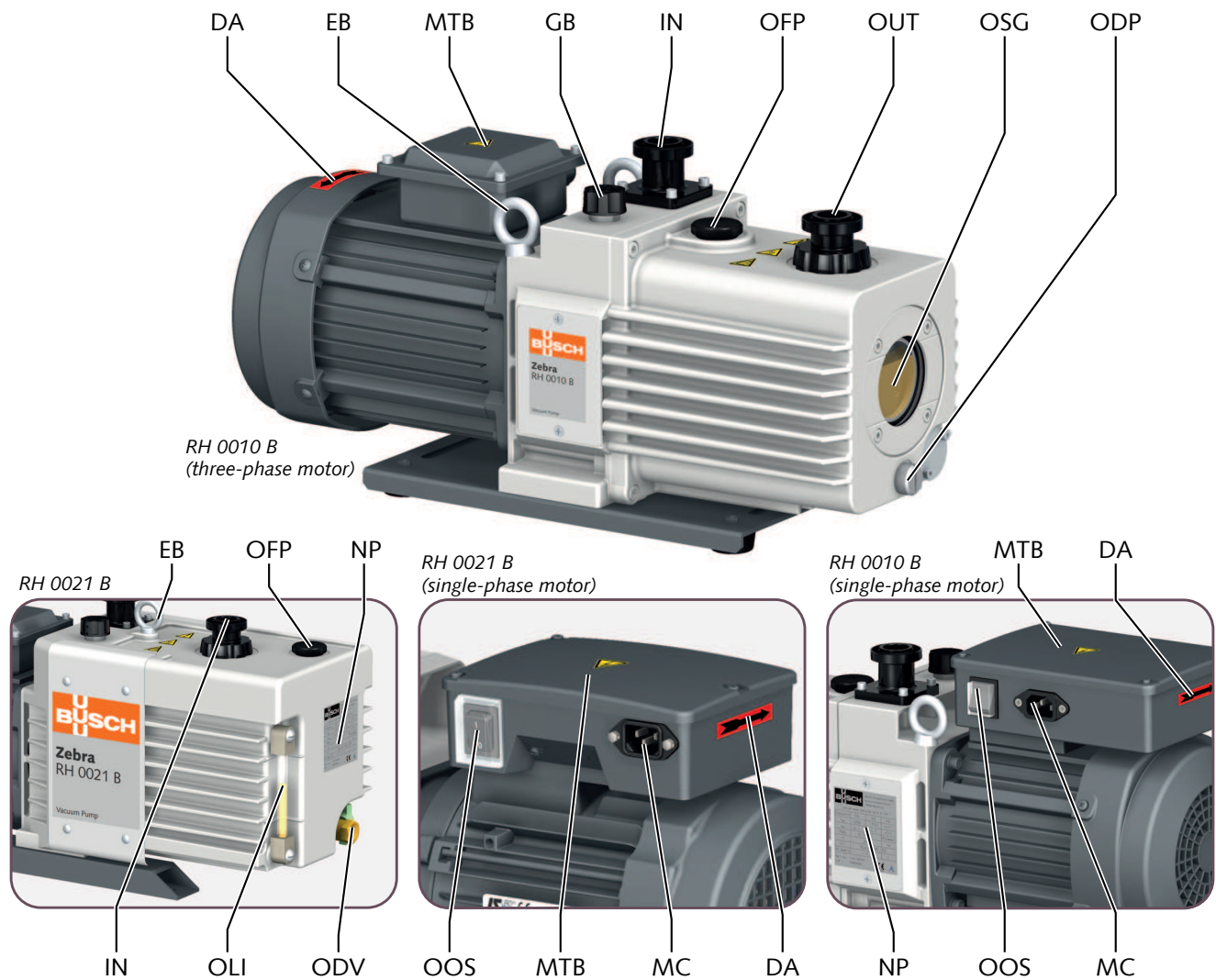
NOTICE

... indicates a potentially dangerous situation that could result in damage to property.

NOTE

... indicates helpful tips and recommendations, as well as information for efficient and trouble-free operation.

2 Product Description



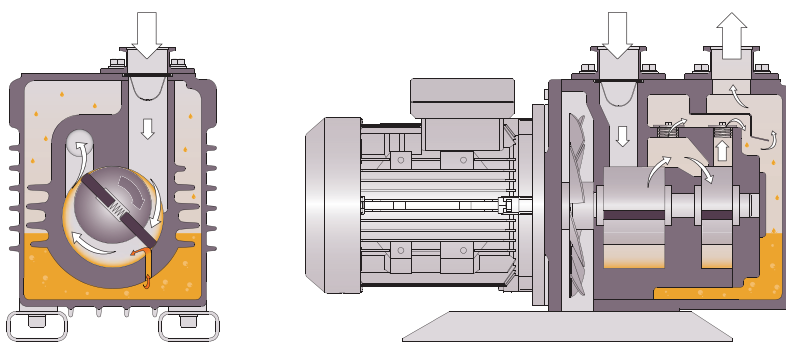
DA	Directional arrow	EB	Eye bolt
GB	Gas ballast valve	IN	Suction connection
MC	Mains connection	MTB	Motor terminal box
NP	Nameplate	ODP	Oil drain plug
ODV	Oil drain valve	OFF	Oil fill plug
OLI	Oil level indicator	OOS	On/off-switch
OSG	Oil sight glass	OUT	Discharge connection

NOTE

Technical term.

In this instruction manual, we consider that the term 'machine' refers to the 'vacuum pump'.

2.1 Operating Principle



The machine works on the two-stage rotary vane principle.

The oil seals the gaps, lubricates the vanes and takes away compression heat.

2.2 Application

The machine is intended for the suction of air and other dry, non-aggressive, non-toxic and non-explosive gases.

Conveying of other media leads to an increased thermal and/or mechanical load on the machine and is permissible only after a consultation with Busch.

The machine is intended for the placement in a non-potentially explosive environment.

The machine is capable of maintaining ultimate pressure.

The machine is suitable for continuous operation under certain conditions, see Continuous Operation [▶ 13].

Permitted environmental conditions see Technical Data [▶ 23].

! NOTICE

Chemical compatibility of the process gases with the machine component materials.

Risk of corrosion inside the compression chamber which can reduce performance and its lifetime!

- Check if the process gases are compatible with those following materials:
 - Cast iron
 - Steel
 - Aluminium
 - Fluoroelastomer (FKM/FPM)
- In doubt, please contact your Busch representative.

2.3 Standard Features

2.3.1 Gas Ballast Valve

It mixes the process gas with a limited quantity of ambient air to counteract the condensation of vapour inside the machine.

2.4 Optional Accessories

2.4.1 Inlet Filter

It protects the machine against dust and other solids in the process gas. The inlet filter is available with a polyester cartridge.

2.4.2 Oil Mist Separator

To reduce the oil consumption and trap any oil mist, when operating at a high suction pressure, it is recommended to fit an oil mist separator at the discharge connection (OUT).

To allow the oil to return to the machine in continuous operation, please comply with the conditions for Continuous Operation [▶ 13].

2.5 Motor Variants

The Zebra RH 0003-0021 B are equipped with multi-voltages and multi-frequencies motors (50 Hz/60 Hz).

They can be delivered either with a single-phase or three-phase motor, except for RH 0003 B which is only available with a single-phase motor.

3 Transport



WARNING

Suspended load.

Risk of severe injury!

- Do not walk, stand or work under suspended loads.



CAUTION

Handle the machine by hand.

Risk to injury!

- Do not lift by hand a machine heavier than 20 kg.
- Follow all safety provisions in order to prevent an accident.



NOTICE

In case the machine is already filled with oil.

Tilting a machine that is already filled with oil can cause large quantities of oil to ingress into the cylinder. Starting the machine with excessive quantities of oil in the cylinder will immediately break the vanes and ruin the machine!

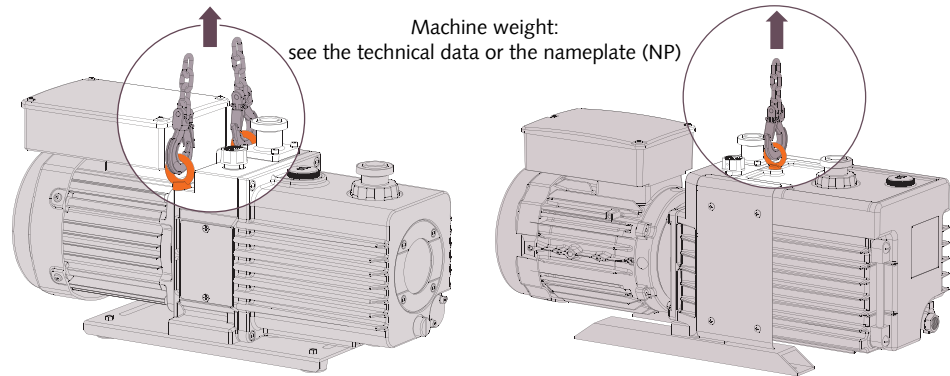
- Drain the oil prior to every transport or always horizontally transport the machine.

For RH 0003 B:

Due to its light weight (16 kg / 35 lbs), it can be handled with care by hand

For RH 0010 B and RH 0015 B:

For RH 0021 B:



- Check the machine for transport damage.

In case of the machine being secured to a base plate:

- Remove the fixations.

4 Storage

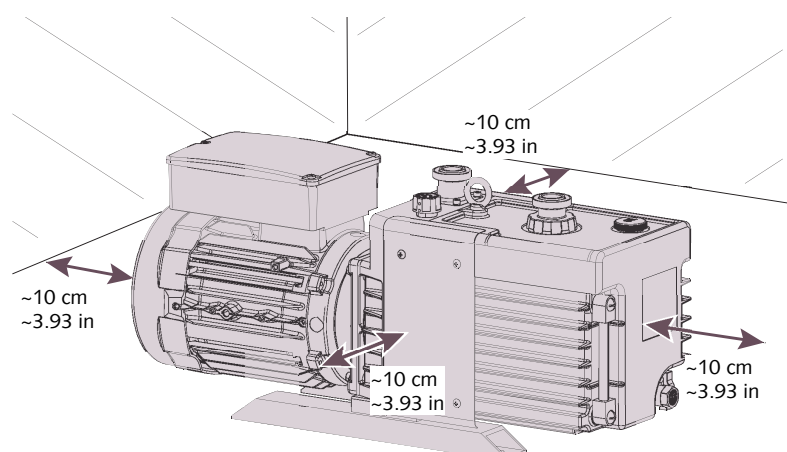
- Seal all apertures with adhesive tape or reuse provided caps.

In case of storage of more than 3 months is scheduled:

- Wrap the machine in a corrosion inhibiting film.
- Store the machine indoors, dry, dust free and if possible in original packaging preferably at temperatures between 7 ... 40 °C (45 ... 104 °F), less than 85%RH (relative humidity).

5 Installation

5.1 Installation Conditions



- Make sure that the environment of the machine is not potentially explosive.
- Make sure that the ambient conditions comply with the Technical Data [▶ 23].
- Make sure that the environmental conditions comply with the protection class of the motor.

- Make sure that the installation space or location is vented such that sufficient cooling of the machine is provided.
- Make sure that cooling air inlets and outlets of the motor fan are not covered or obstructed and that the cooling air flow is not affected adversely in any other way.
- Make sure that the oil sight glass (OSG) or the oil level indicator (OLI) remains easily visible.
- Make sure that enough space remains for maintenance work.
- Make sure that the machine is placed or mounted horizontally, a maximum of 1° in any direction.
- Check the oil level, fill up if necessary, see Filling Oil [► 10].
- Make sure that all provided covers, guards, hoods, etc. are mounted.

If the machine is installed at an altitude greater than 1000 meters above sea level:

- Contact your Busch representative, the motor should be derated or the ambient temperature limited.

5.2 Connecting Lines / Pipes

- Make sure that the connection lines cause no stress on the machine's connection, if necessary use flexible joints.
- Make sure that the line size of the connection lines over the entire length is at least as large as the connections of the machine.

In case of very long connection lines it is advisable to use larger line sizes in order to avoid a loss of efficiency. Seek advice from your Busch representative.

WARNING

Internal pressure higher than 300 hPa (gauge).

Risk of severe injury!

Risk of damage to the machine!

- Make sure that the discharge line is not clogged (either pipe or oil mist separator).

5.2.1 Suction Connection

WARNING

Unprotected suction connection.

Risk of severe injury!

- Do not put hand or fingers in the suction connection.

NOTICE

Intruding foreign objects or liquids.

Risk of damage to the machine!

In case of the inlet gas contains dust or other foreign solid particles:

- Install a suitable filter (5 micron or less) upstream the machine.

Connection size:

- ISO-KF 25

5.2.2 Discharge Connection

CAUTION

The discharge gas contains small quantities of oil.

Risk to health!

If air is discharged into rooms where persons are present:

- Make sure that sufficient ventilation is provided.

Connection size:

- ISO-KF 25
- G3/4 (without ISO-KF adapter) for RH 0003 B
- G1 (without ISO-KF adapter) for RH 0010-0021 B

- Make sure that the discharged gas will flow without obstruction. Do not shut off or throttle the discharge line or use it as a pressurised air source.

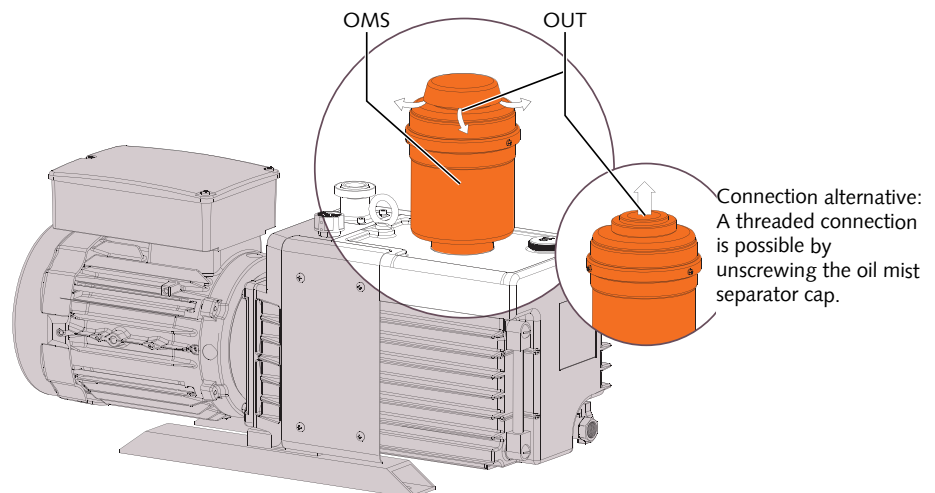
Unless the aspirated air is discharged to the environment right at the machine:

- Make sure that the discharge line either slopes away from the machine or provide a liquid separator or a drip leg with a drain cock, so that no liquids can flow back into the machine.

5.2.3 Oil Mist Separator (Optional)

The oil mist separator has to be fitted at the discharge connection.

- Remove the ISO-KF adapter.
- Mount the oil mist separator with its seal.



OMS 0003 Oil mist separator for RH 0003 B

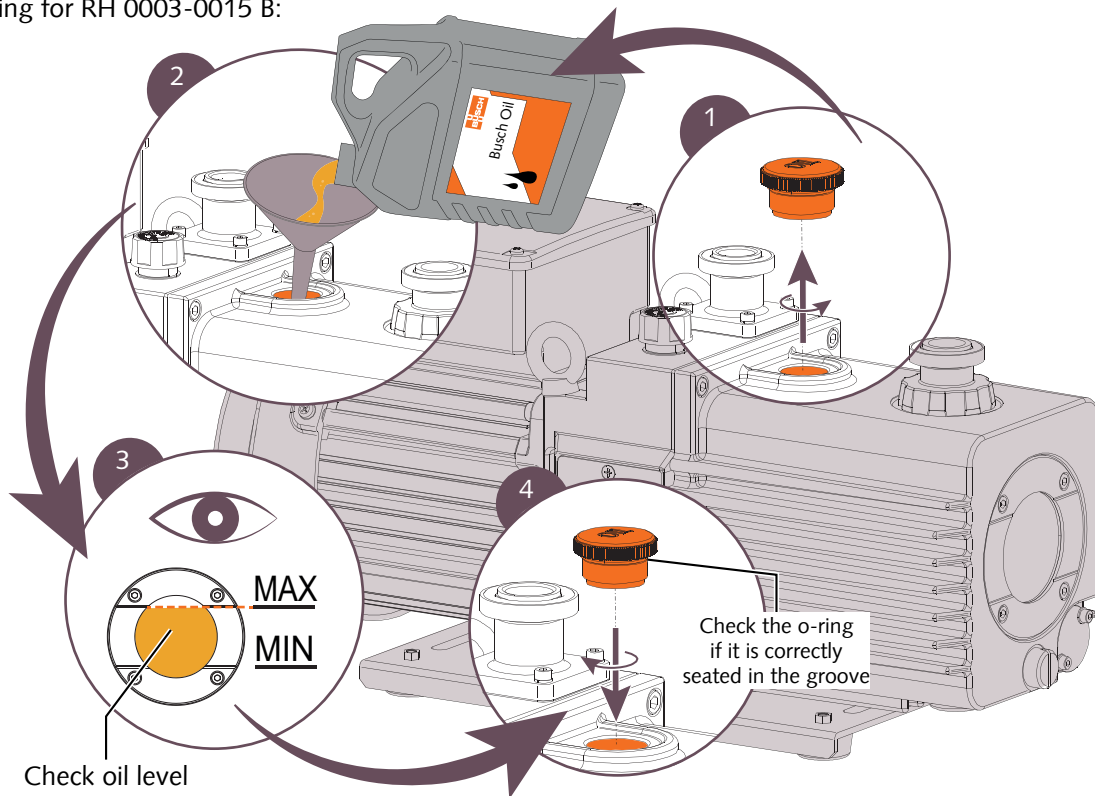
OMS 0021 Oil mist separator for RH 0010-0021 B

OUT Discharge

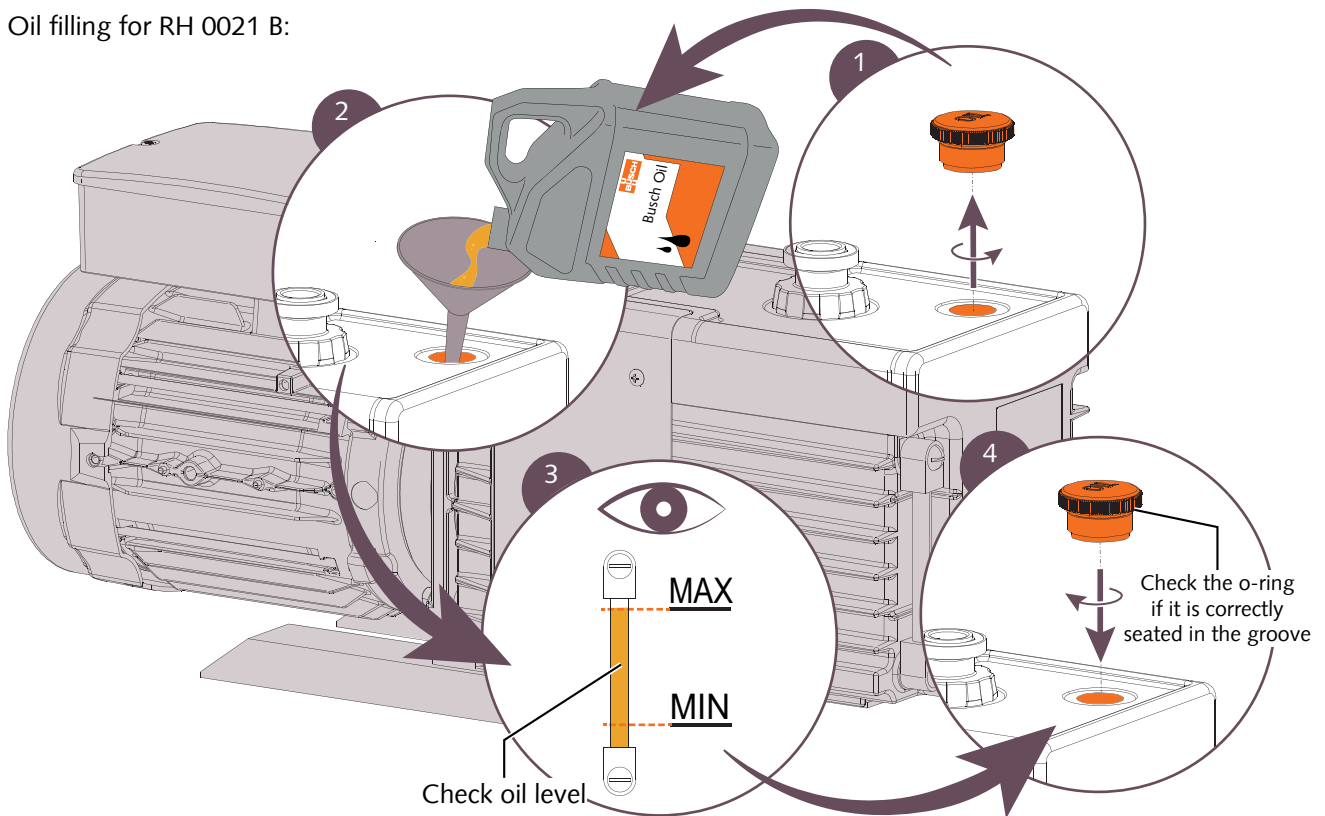
5.3 Filling Oil

For oil type and oil capacity see Technical Data [▶ 23] and Oil [▶ 23].

Oil filling for RH 0003-0015 B:



Oil filling for RH 0021 B:



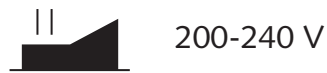
NOTE

The factory default voltage class is set for 200-240 V use.

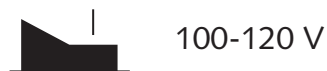
If the motor is to be operated with a voltage such as 100-120 V:

- Open the motor terminal box (MTB).
- Change the switch position (see the following illustration).

Voltage class switch for:
RH 0003 B and RH 0021 B



200-240 V

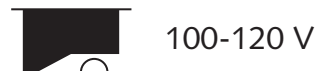


100-120 V

Voltage class switch for:
RH 0010 B and RH 0015 B



200-240 V



100-120 V

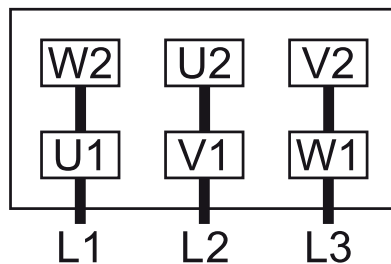
5.4.2 Wiring Diagram Three-Phase Motor

- Electrically connect the motor according to the following wiring diagram:

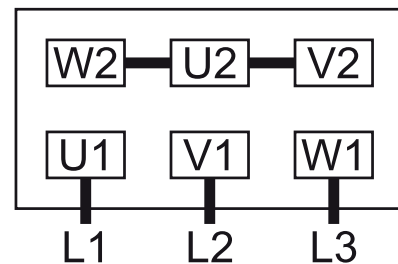
Connector:

- Terminal block (Power supply ► M4 thread; Earth ► M5 thread)

Delta connection (low voltage):



Star connection (high voltage):



NOTICE

Incorrect direction of rotation.

Risk of damage to the motor!

- Operation in the wrong direction of rotation can destroy the machine in a short time!
Prior to starting-up make sure that the machine is operated in the right direction.

- Determine the intended direction of rotation with the arrow (stuck on or cast).
- 'Bump' the motor.

If the rotation must be changed:

- Switch any two of the motor phase wires.

6 Commissioning

NOTICE

The machine is shipped without oil.

Operation without oil will ruin the machine in short time!

- Prior to commissioning, the machine must be filled with oil, see Filling Oil [▶ 10].

CAUTION

During operation the surface of the machine may reach temperatures of more than 70°C.

Risk of burns!

- Avoid contact with the machine during and directly after operation.
- Make sure that the installation conditions (see Installation Conditions [▶ 7]) are complied with.
- Make sure that the gas ballast valve is closed before starting the machine.
- Switch on the machine.
- Make sure that the maximum permissible number of starts does not exceed 12 starts per hour.
- After few minutes of operation, check the oil level and top up if necessary.

As soon as the machine is operated under normal operating conditions:

- Measure the motor current and record it as reference for future maintenance and troubleshooting work.

6.1 Continuous Operation

NOTICE

Working at a suction pressure higher than 100 hPa in continuous operation.

Oil will gush out from the exhaust and the machine will run out of oil very quickly!

Operation without oil will ruin the machine in short time!

- Limit the suction pressure in continuous operation.

If the machine is equipped with an oil mist separator:

- The operating time in continuous operation is not limited below a suction pressure of 0.4 hPa.

In case of a higher suction pressure:

- The machine must be stopped for at least 5 minutes or operate at a pressure lower than 0.4 hPa for at least 10 minutes within the maximum operating time (see table below).

This operation allows the oil collected in the separator to return to the machine.

The following table gives reference values which may vary depending on the pumping speed and the operating conditions.

Continuous suction pressure	Maximum operating time	
	RH 0003 B (with OMS 0003)	RH 0010-0021 B (with OMS 0021)
100 hPa	Within 23 hours	Within 8 hours
80 hPa	Within 25 hours	Within 13 hours
53 hPa	Within 31 hours	Within 25 hours
27 hPa	Within 35 hours	Within 42 hours

6.2 Conveying Condensable Vapours

Water vapour within the gas flow is tolerated within certain limits. The conveyance of other vapours shall be agreed upon with Busch.

If condensable vapours are to be conveyed:

- Make sure that the gas ballast valve is open.

Before process:

- Warm up the machine for approximately half an hour.

After process:

- Operate the machine for approximately another half an hour.

7 Maintenance



WARNING

Machines contaminated with hazardous material.

Risk of poisoning!

Risk of infection!

If the machine is contaminated with hazardous material:

- Wear appropriate personal protective equipment.

CAUTION

Hot surface.

Risk of burns!

- Prior to any action requiring touching the machine, let the machine cool down first.
- Shut down the machine and lock against inadvertent start up.
- Vent the connected lines to atmospheric pressure.
- Disconnect all connections.

7.1 Maintenance Schedule

The maintenance intervals depend very much on the individual operating conditions. The intervals given below are desired to be considered as starting values which should be shortened or extended as appropriate. Particularly heavy duty operation, such as high dust loads in the environment or in the process gas, other contamination or ingress of process material, can make it necessary to shorten the maintenance intervals significantly.

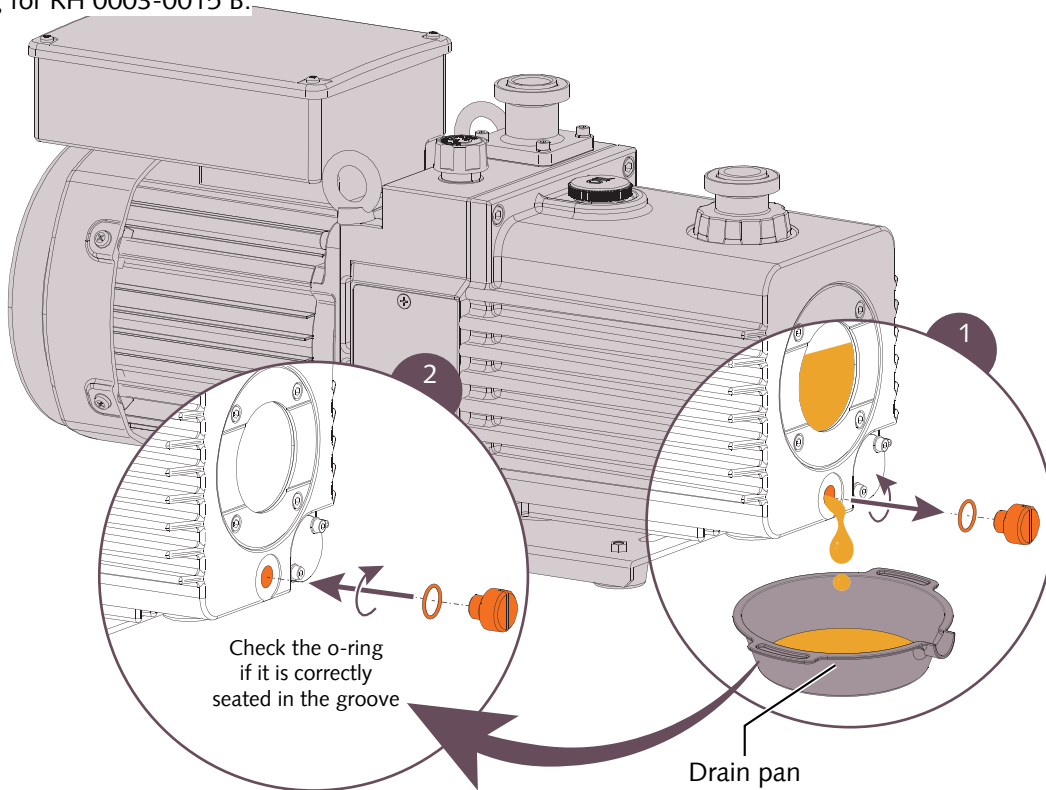
Interval	Maintenance work
Weekly	<ul style="list-style-type: none"> • Check the level and the colour of the oil. • Check the machine for oil leaks - in case of leaks have the machine repaired (contact Busch).
Monthly	<ul style="list-style-type: none"> • Check the inlet screen, clean if necessary. In case of an inlet filter being installed: <ul style="list-style-type: none"> • Check the inlet filter cartridge, replace if necessary.
After the first 240 hours	<ul style="list-style-type: none"> • Change the oil, see Oil Change [▶ 16].
At least after 2000 hours	In case of an oil separator being installed: <ul style="list-style-type: none"> • Change the filter cartridge
Between 6 and 12 months	<ul style="list-style-type: none"> • Change the oil, see Oil Change [▶ 16]. The oil change depends on the process application, refer to the table of Oil Change Recommendations [▶ 15].
Yearly	<ul style="list-style-type: none"> • Clean the machine from dust and dirt. • Check the coupling, see Coupling Maintenance [▶ 18].
Every 5 years	<ul style="list-style-type: none"> • Have a major overhaul on the machine (contact Busch).

7.2 Oil Change Recommendations

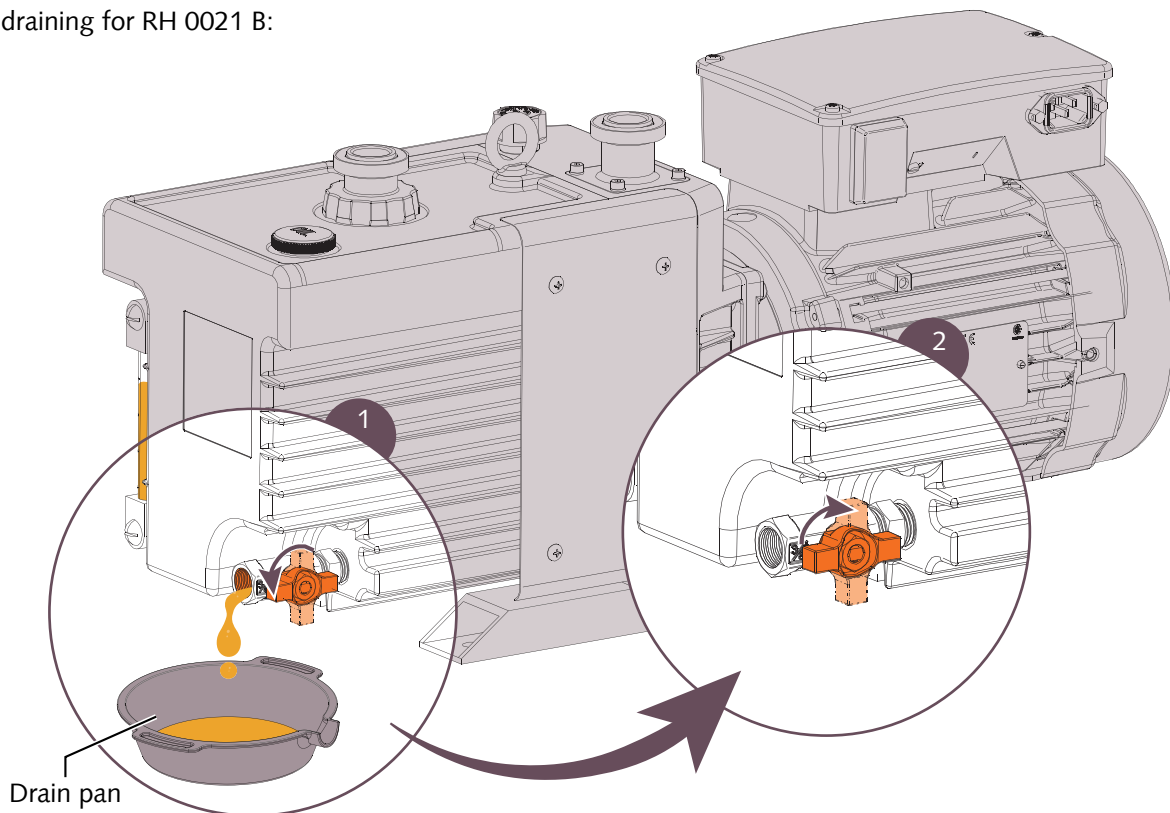
Purpose	Oil Change Interval
Vacuum system for study / laboratory, small vacuum system	Within 6 months to 1 year
Vacuum system for production / vacuum evaporation	Within 3 to 6 months
Vacuum valve exhaust system / large vacuum evaporation system	Within 3 months
Metallurgy vacuum system such as thermal treatment, melting and the like	Within 1 month
High vacuum dry / vacuum impregnation / vacuum forming / vacuum packing system	Within 1 month
Low vacuum dry / pug mill / food packing system	Within 1 week

7.3 Oil Change

Oil draining for RH 0003-0015 B:

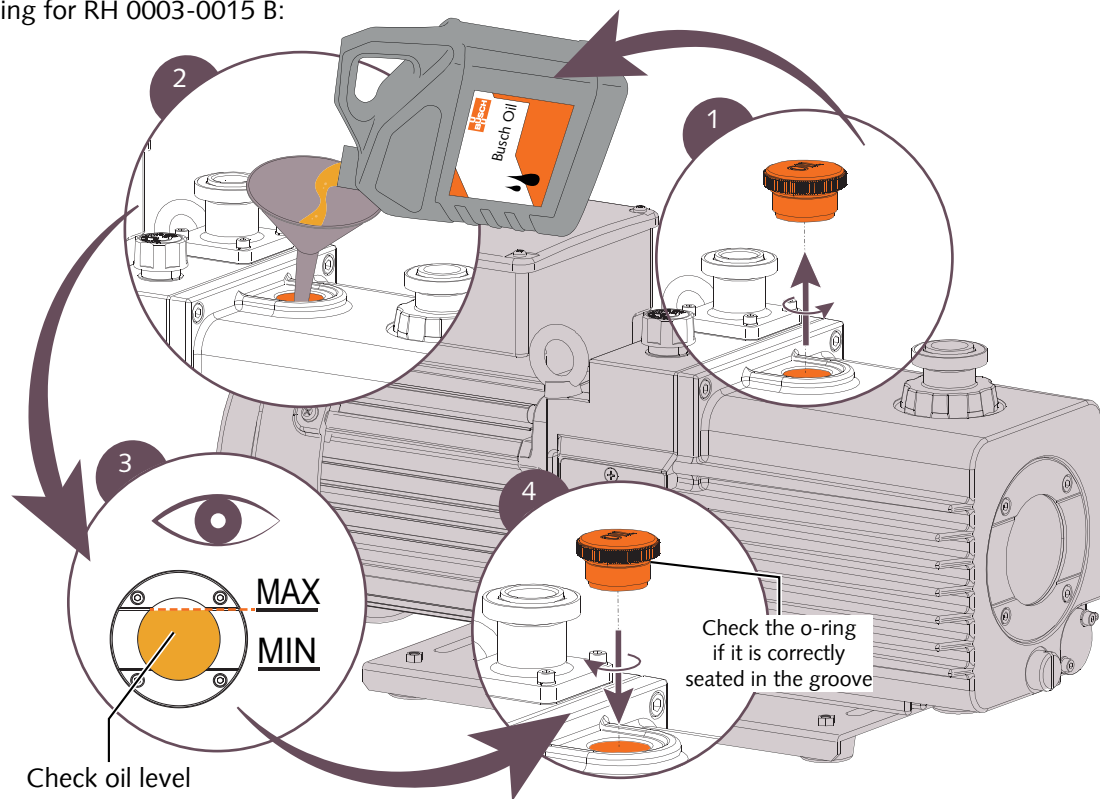


Oil draining for RH 0021 B:

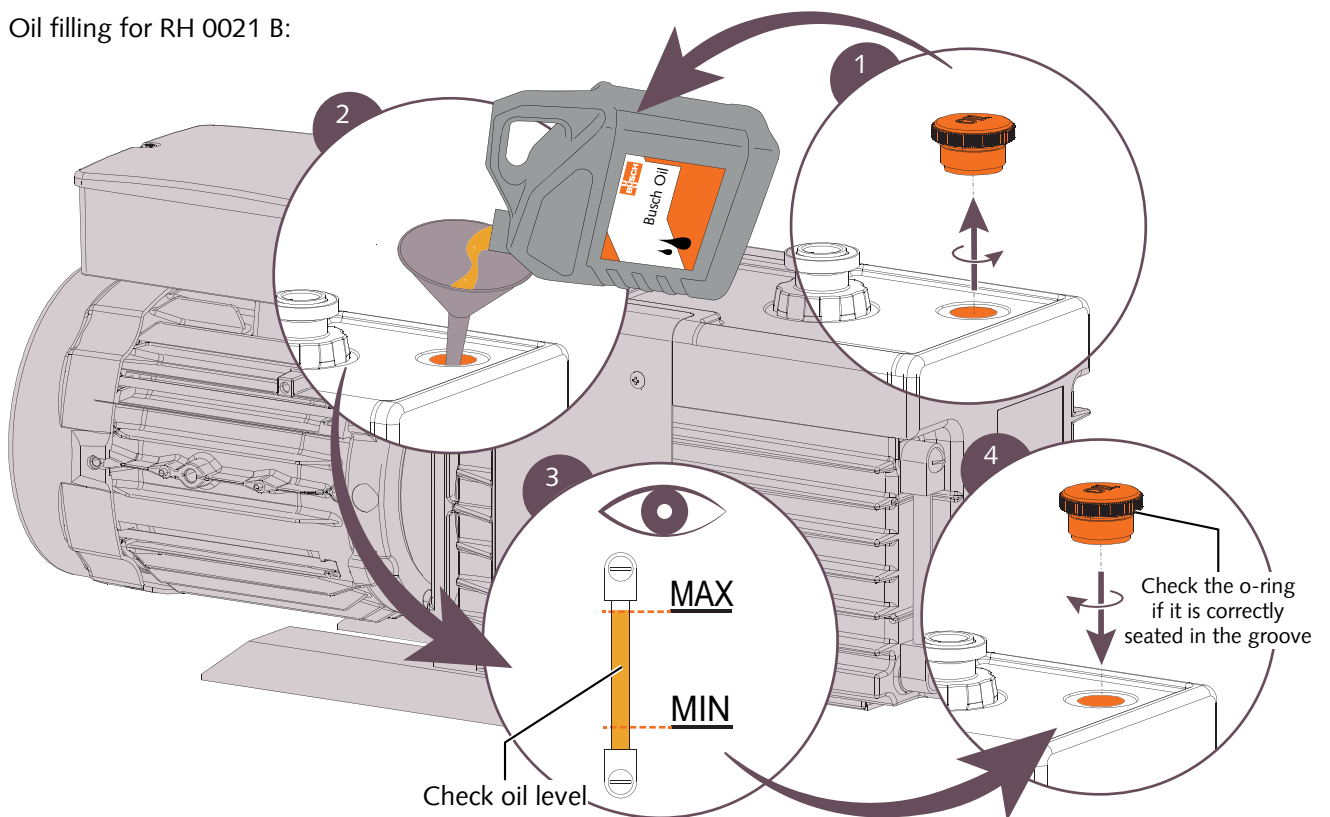


For oil type and oil capacity see Technical Data [▶ 23] and Oil [▶ 23].

Oil filling for RH 0003-0015 B:

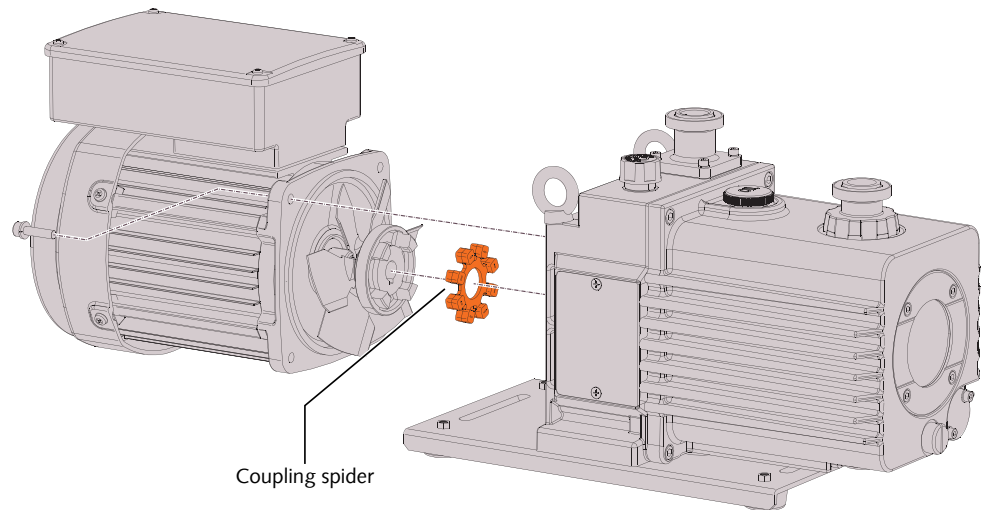


Oil filling for RH 0021 B:



7.4 Coupling Maintenance

- Disassemble the machine according to the following illustration.



- Check the coupling spider.
- Change it if necessary.
- Reassemble the machine.

8 Overhaul

! NOTICE

Improper assembly.

Risk of premature failure!

Loss of efficiency!

- It is highly recommended that any dismantling of the machine that goes beyond anything that is described in this manual should be done through Busch.



⚠ WARNING

Machines contaminated with hazardous material.

Risk of poisoning!

Risk of infection!

If the machine is contaminated with hazardous material:

- Wear appropriate personal protective equipment.

In case of the machine having conveyed gas that was contaminated with foreign materials which are dangerous to health:

- Decontaminate the machine as good as possible and state the contamination status in a 'Declaration of Contamination'.

Busch will only accept machines that come with a complete filled in and legally binding signed 'Declaration of Contamination'.

(Form downloadable from www.buschvacuum.com)

9 Decommissioning

- Shut down the machine and lock against inadvertent start up.
- Vent the connected lines to atmospheric pressure.
- Disconnect all connections.

In case of storage is planned:

- See Storage [▶ 7].

9.1 Dismantling and Disposal

- Drain the oil.
- Separate special waste from the machine.
- Dispose of special waste in compliance with applicable regulations.
- Dispose of the machine as scrap metal.

10 Spare Parts

! NOTICE

Use of non-Busch genuine spare parts.

Risk of premature failure!

Loss of efficiency!

- The exclusive use of Busch genuine spare parts and consumables is recommended for the proper function of the machine and for granting of warranty.

Spare parts kit	Description	Part no.
Minor maintenance kit (RH 0003 B)	Includes all the necessary parts for minor maintenance.	0992 168 912
Minor and major maintenance kit (RH 0003 B)	Includes all the necessary parts for a complete overhaul.	0992 168 912 + 0993 168 943
Minor maintenance kit (RH 0010 B)	Includes all the necessary parts for minor maintenance.	0992 168 944
Minor and major maintenance kit (RH 0010 B)	Includes all the necessary parts for a complete overhaul.	0992 168 944 + 0993 168 945
Minor maintenance kit (RH 0015 B)	Includes all the necessary parts for minor maintenance.	0992 168 946
Minor and major maintenance kit (RH 0015 B)	Includes all the necessary parts for a complete overhaul.	0992 168 946 + 0993 168 947
Minor maintenance kit (RH 0021 B)	Includes all the necessary parts for minor maintenance.	0992 168 948
Minor and major maintenance kit (RH 0021 B)	Includes all the necessary parts for a complete overhaul.	0992 168 948 + 0993 168 949

11 Accessories

Please contact your Busch representative for accessories list and references.

12 Troubleshooting

 **DANGER**

Live wires.

Risk of electrical shock.

- Electrical installation work must only be executed by qualified personnel.

 **CAUTION**

Hot surface.

Risk of burns!

- Prior to any action requiring touching the machine, let the machine cool down first.

Problem	Possible Cause	Remedy
The machine does not start.	Low ambient temperature.	• Observe the permitted ambient temperature.
	The motor is not supplied with the correct voltage.	• Check the power supply.
	Solid foreign matter has entered the machine.	• Remove the solid foreign matter or repair the machine (contact Busch).
	Internal parts are worn or damaged	• Repair the machine (contact Busch).
	The motor is defective.	• Replace the motor.
	The coupling is defective.	• Replace the coupling.
The machine does not reach the usual pressure on the suction connection.	Oil level too low.	• Top up oil.
	The oil is not circulating.	• Conduct an overhaul (contact Busch).
	Oil has deteriorated.	• Perform a non load operation with vacuum valve closed and gas ballast valve open or replace the oil.
	The inlet screen is partially clogged.	• Clean the inlet screen.
	The inlet filter cartridge (optional) is partially clogged.	• Replace the inlet filter cartridge.
	Measurement method or reading is false.	• Check gauge, check final pressure without installation connected.
	Leak in the system.	• Repair leak.
	Internal parts are worn or damaged.	• Repair the machine (contact Busch).
The machine runs very noisily.	Worn coupling.	• Replace the coupling.
	Oil level too low.	• Top up oil.
	The oil is not circulating.	• Conduct an overhaul (contact Busch)
	Internal parts are worn or damaged.	• Repair the machine (contact Busch).

The machine runs too hot. (Pump surface rise up to about 100 °C (212 °F)).	Continuous operation at too high suction pressure.	<ul style="list-style-type: none"> • Reduce the suction pressure.
	Insufficient cooling.	<ul style="list-style-type: none"> • Remove dust and dirt from the machine.
	Ambient temperature too high.	<ul style="list-style-type: none"> • Observe the permitted ambient temperature.
	Oil level too low.	<ul style="list-style-type: none"> • Top up oil.
	The oil is not circulating.	<ul style="list-style-type: none"> • Conduct an overhaul (contact Busch).
	Oil has deteriorated.	<ul style="list-style-type: none"> • Perform a non load operation with vacuum valve closed and gas ballast valve open or replace the oil.
The machine fumes or expels oil droplets through the gas discharge.	Oil level too high.	<ul style="list-style-type: none"> • Drain the oil until it gets the specified level.
	Continuous operation is performed at high suction pressure.	<ul style="list-style-type: none"> • Install an oil mist separator.
	Oil mist separator (optional) is clogged.	<ul style="list-style-type: none"> • Replace the filter element.
	Oil mist separator (optional) is not assembled properly.	<ul style="list-style-type: none"> • Reassemble properly the oil mist separator.
The oil is emulsified.	The machine sucked in liquids or significant amounts of vapour.	<ul style="list-style-type: none"> • Perform a non load operation with vacuum valve closed and gas ballast valve open or replace the oil. • Modify the operational mode,)see Conveying Condensable Vapours [► 14]).

For the solution of problems not mentioned in the troubleshooting chart contact your Busch representative.

13 Technical Data

		RH 0003 B	RH 0010 B	RH 0015 B	RH 0021 B
Pumping speed (50Hz / 60Hz)	m ³ /h	2.4 / 2.9	8.1 / 9.7	12 / 14.4	16.9 / 20.2
	cfm	1.4 / 1.7	4.8 / 5.7	7.1 / 8.5	9.9 / 11.9
Ultimate total pressure (without gas ballast valve)	hPa (mbar) abs.	6.7 x 10 ⁻³			
	Torr abs.	5 x 10 ⁻³			
Ultimate total pressure (with gas ballast valve)	hPa (mbar) abs.	6.7 x 10 ⁻²			
	Torr abs.	5 x 10 ⁻²			
Nominal motor rating Single-phase motor (50Hz / 60Hz)	kW	0.2 / 0.2	0.4 / 0.4	0.55 / 0.55	0.75 / 0.9
Nominal motor rating Three-phase motor (50Hz / 60Hz)	kW	N/A	0.4 / 0.4	0.55 / 0.55	0.7 / 0.7
Nominal motor speed Single-phase motor (50Hz / 60Hz)	min ⁻¹	1460 / 1760	1455 / 1750	1435 / 1730	1470 / 1770
Nominal motor speed Three-phase motor (50Hz / 60Hz)	min ⁻¹	N/A	1460 / 1760	1460 / 1760	1460 / 1760
Noise level (EN ISO 2151) with oil mist separator and single- phase motor (50Hz / 60Hz)	dB(A)	≤ 52 / 53	≤ 52 / 54	≤ 54 / 56	≤ 59 / 61
Noise level (EN ISO 2151) with oil mist separator and three- phase motor (50Hz / 60Hz)	dB(A)	N/A	≤ 49 / 52	≤ 52 / 55	≤ 59 / 63
Water vapour capacity (with gas ballast valve)	g / h	5	37.8	40.4	73
Ambient temperature range	°C	7 ... 40			
	°F	45 ... 104			
Relative humidity	at 30 °C (86 °F)	85%			
Max. internal pressure	hPa (mbar) gauge	300			
Ambient pressure		Atmospheric pressure			
Cooling method		Air cooled			
Max. oil capacity	l	0.8	1	1.1	1.1
	qt	0.8	1.1	1.2	1.2
Oil type		VSD 026	VMA 055	VMA 055	VMA 055
Weight with Single-phase motor	kg	16	29	31	42
	lbs	35	64	68	93
Weight with Three-phase motor	kg	N/A	26	29	34.5
	lbs	N/A	57	64	76

14 Oil

	VSD 026	VMA 055
Viscosity at 40°C (104°F)	26 cSt (mm ² /s)	55 cSt (mm ² /s)
Part number 1 L packaging	0831 169 419	0831 169 415
Part number 5 L packaging	N/A	0831 169 416

15 EU Declaration of Conformity

This Declaration of Conformity and the CE-mark affixed to the nameplate are valid for the machine within the Busch scope of delivery. This Declaration of Conformity is issued under the sole responsibility of the manufacturer. When this machine is integrated into a superordinate machinery the manufacturer of the superordinate machinery (this can be the operating company, too) must conduct the conformity assessment process for the superordinate machine or plant, issue the Declaration of Conformity for it and affix the CE-mark.

The manufacturer

Busch Produktions GmbH
Schauinslandstr. 1
DE-79689 Maulburg



declare that the machine(s): **Zebra RH 0003 B; RH 0010 B; RH 0015 B; RH 0021 B**
 with a serial number **1679...** to **1779...**

has (have) been manufactured in accordance with the European Directives:

- 'Machinery' 2006/42/EC
- 'RoHS' 2011/65/EU, restriction of the use of certain hazardous substances in electrical and electronic equipment

and following the standards.

Standard	Title of the Standard
EN 1012-2:1996 + A1:2009	Compressors and vacuum pumps - Safety requirements - Part 2
EN ISO 2151:2008	Acoustics - Noise test code for compressors and vacuum pumps - Engineering method (grade 2)
IEC/EN 61010-1:2010	Safety requirement for electrical equipment for measurement, control and laboratory use - Part 1: General requirement
IEC/EN 60034-1:2010	Rotating electrical machines - Part 1: Rating and performance
EN 61000-6-2:2005	Electromagnetic compatibility (EMC) - Generic standards. Immunity for industrial environments
EN 61000-6-4:2007 + A1:2011	Electromagnetic compatibility (EMC) - Generic standards. Emission standard for industrial environments
EN ISO 13849-1:2015 ⁽¹⁾	Safety of machinery - Safety-related parts of control systems - Part 1: General principles for design

Person authorised to compile the technical file:

Andrej Riwe
 Busch Produktions GmbH
 Schauinslandstr. 1
 DE-79689 Maulburg

Maulburg, 16.03.2016

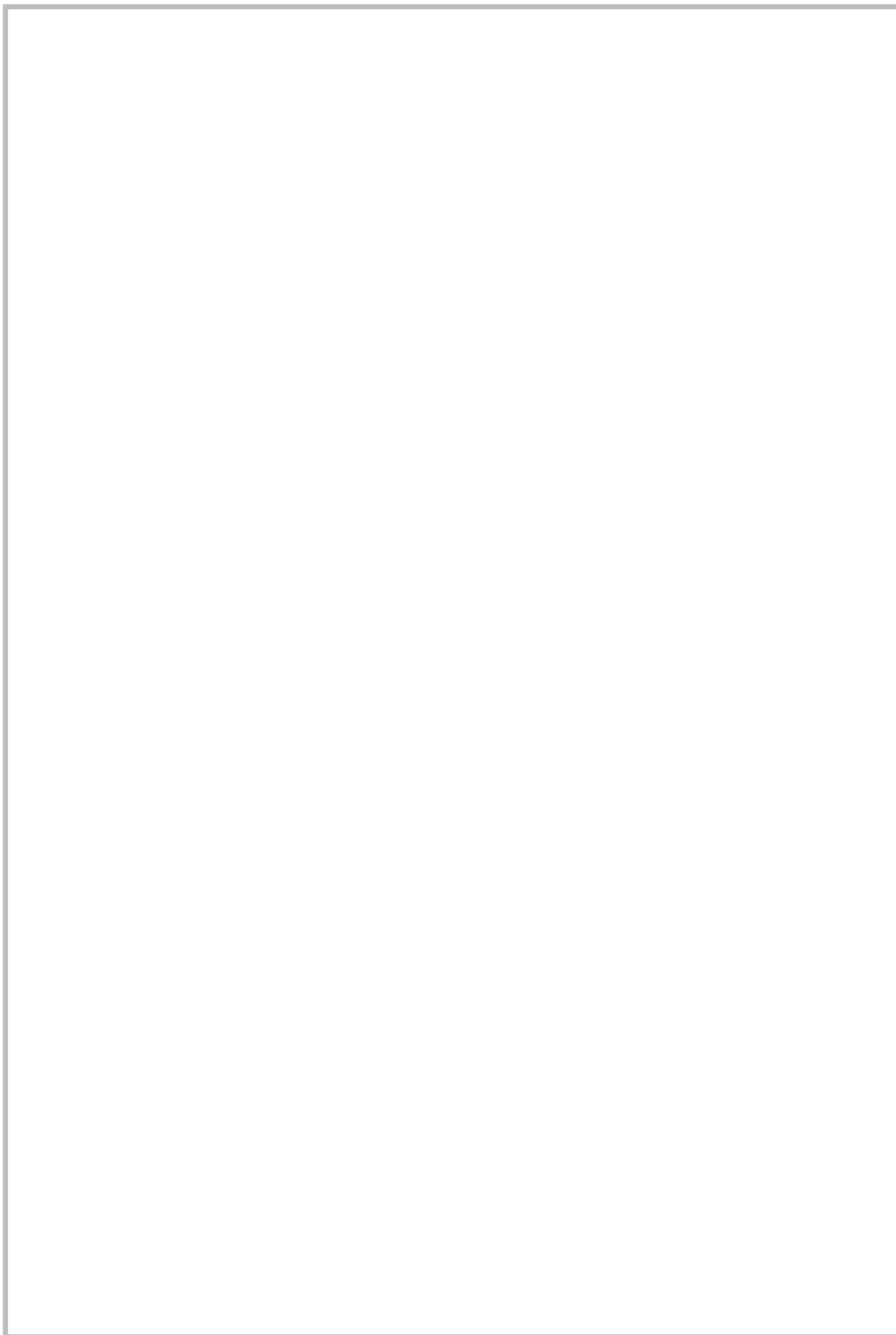
Dr.-Ing Karl Busch, General director

⁽¹⁾ In case control systems are integrated.

A large, empty rectangular box with a thin gray border, occupying most of the page. It is intended for writing a note.

Note

A large, empty rectangular box with a thin gray border, occupying most of the page below the 'Note' header. It is intended for the user to write their notes.

A large, empty rectangular box with a thin gray border, occupying most of the page. It is intended for writing a note.

Busch Vacuum Pumps and Systems

All over the World in Industry

Argentina

www.busch-vacuum.com.ar

Australia

www.busch.com.au

Austria

www.busch.at

Belgium

www.busch.be

Brazil

www.buschdobrasil.com.br

Canada

www.busch.ca

Chile

www.busch.cl

China

www.busch-china.com

Colombia

www.buschvacuum.co

Czech Republic

www.buschvacuum.cz

Denmark

www.busch.dk

Finland

www.busch.fi

France

www.busch.fr

Germany

www.busch.de

Hungary

www.buschvacuum.hu

India

www.buschindia.com

Ireland

www.busch.ie

Israel

www.busch.co.il

Italy

www.busch.it

Japan

www.busch.co.jp

Korea

www.busch.co.kr

Malaysia

www.busch.com.my

Mexico

www.busch.com.mx

Netherlands

www.busch.nl

New Zealand

www.busch.com.au

Norway

www.busch.no

Peru

www.busch.com.pe

Poland

www.busch.com.pl

Portugal

www.busch.pt

Russia

www.busch.ru

Singapore

www.busch.com.sg

South Africa

www.busch.co.za

Spain

www.buschiberica.es

Sweden

www.busch.se

Switzerland

www.busch.ch

Taiwan

www.busch.com.tw

Thailand

www.busch.co.th

Turkey

www.buschvacuum.com

United Arab Emirates

www.busch.ae

United Kingdom

www.busch.co.uk

USA

www.buschusa.com

